

LED G28 36 Lights String Set Installation Instructions



ITM. /ART. 999760

Assembly Parts

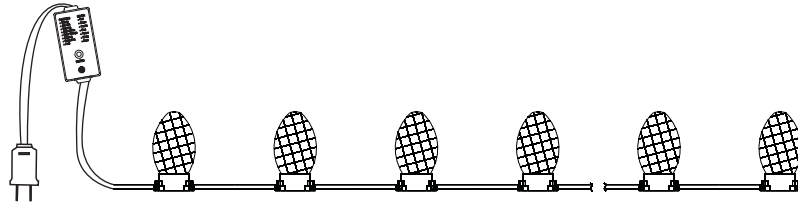
Parts



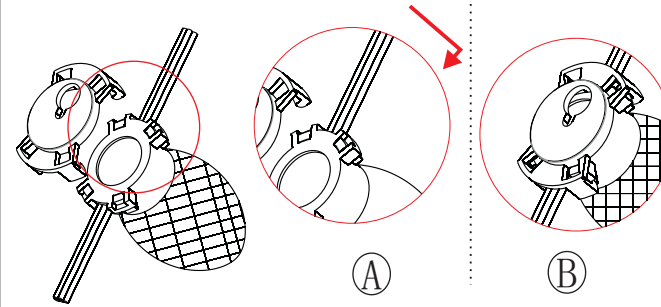
36 PCS 36 PCS



1 PC

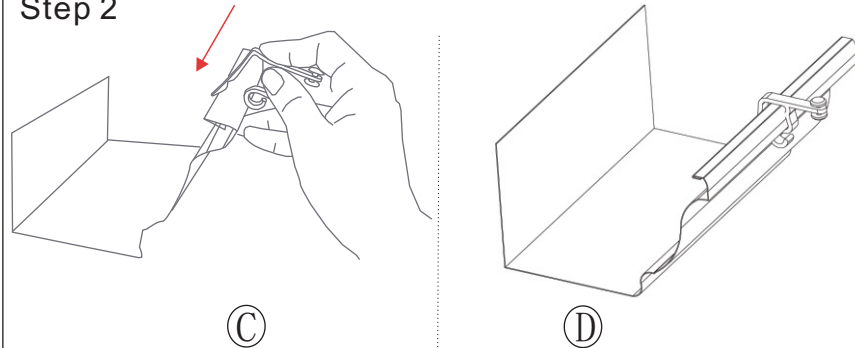


Step 1



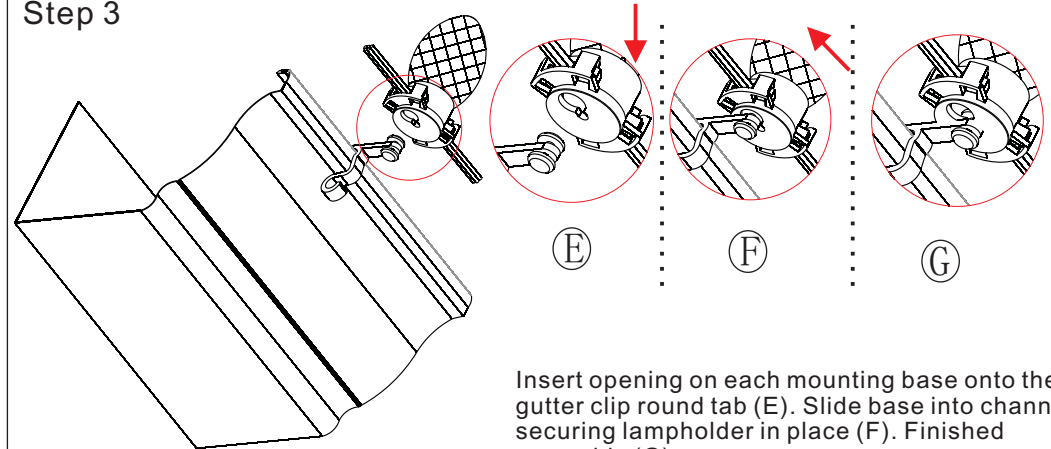
Attach 1 mounting base by snapping its four clips onto each lampholder (A). Finished assembly (B).

Step 2



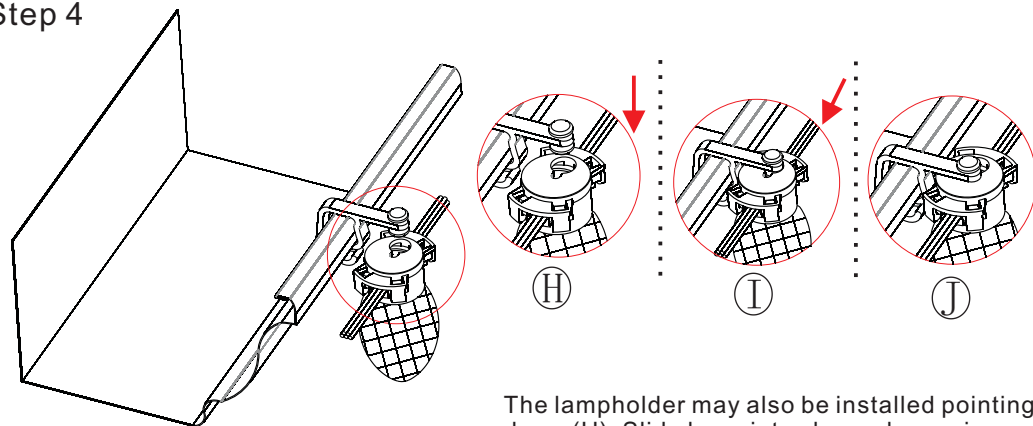
Attach each gutter clip as shown in pictures (C) and (D). Make certain each clip is securely fastened to the gutter.

Step 3



Insert opening on each mounting base onto the gutter clip round tab (E). Slide base into channel securing lampholder in place (F). Finished assembly (G).

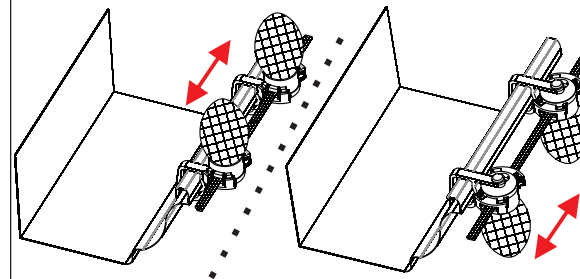
Step 4



The lampholder may also be installed pointing down (H). Slide base into channel securing lampholder in place (I). Finished assembly (J).

Assembly Complete

Continue assembling the mounting bases to the clips for attaching to your gutter. Then adjust the distance between lampholders as shown.



To remove you may either follow instructions in reverse order or leave clips attached to mounting base. Carefully store in a cool dry place to avoid damage.

If you need assistance or have any questions with set-up or operation Please call us toll free: 1-866-489-0019 (English only) Holiday Season: Nov 11 to Dec 23: Mon – Fri 8am to 8pm EST, Sat – Sun 10am to 7pm EST Off Season: Dec 26 – Nov 10: Mon – Fri 10 am to 7 pm EST or visit us on the web at www.geholidaylighting.com

Nicolas Holiday Inc. 204 Spring Hill Road Trumbull, CT 06611

Made in China 2017