

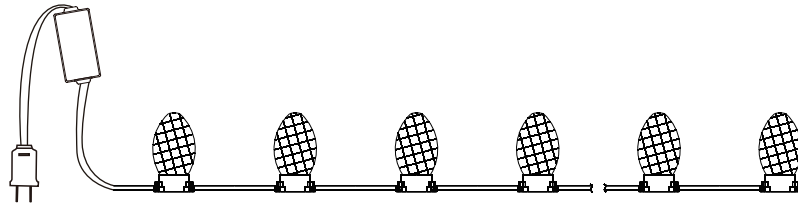
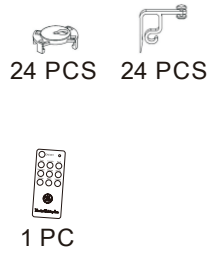
# LED G28 24 Lights String Set Installation Instructions



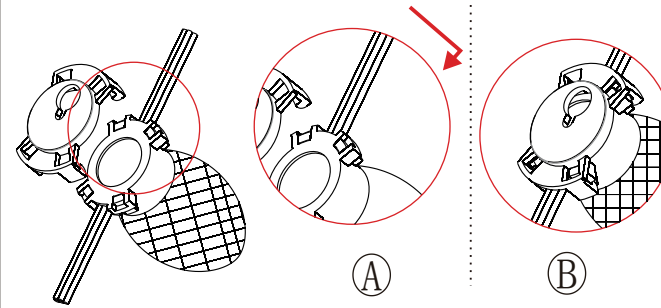
ITM./ART. 1486457

## Assembly

### Parts

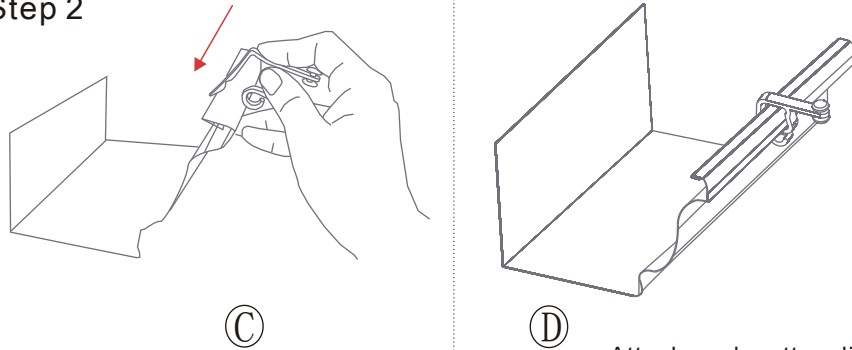


## Step 1



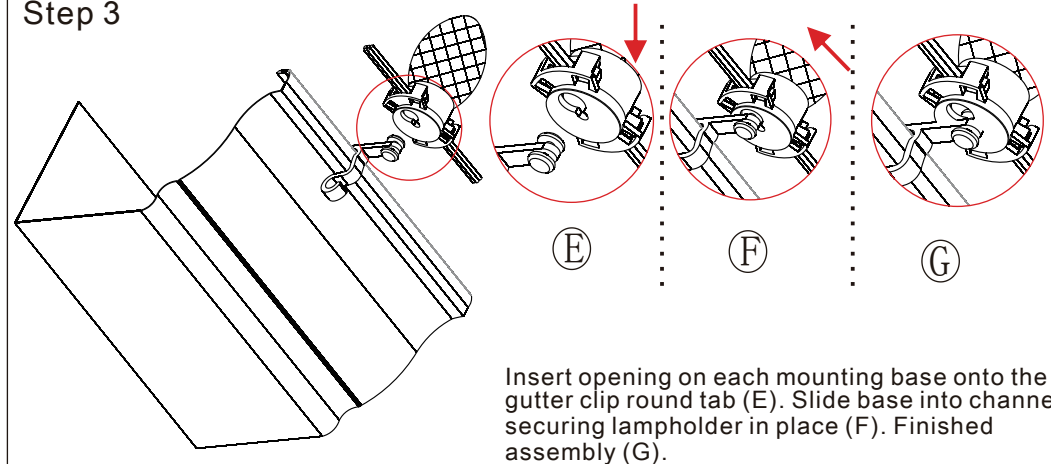
Attach 1 mounting base by snapping its four clips onto each lampholder (A). Finished assembly (B).

## Step 2



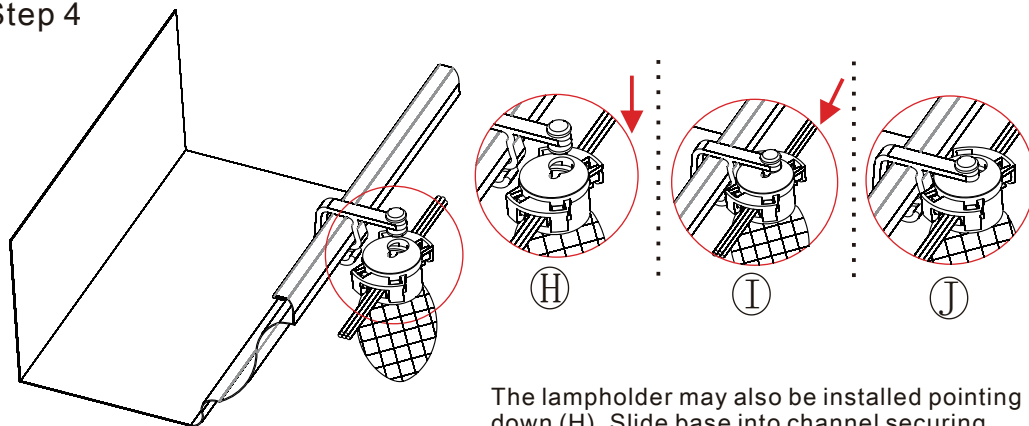
Attach each gutter clip as shown in pictures (C) and (D). Make certain each clip is securely fastened to the gutter.

## Step 3



Insert opening on each mounting base onto the gutter clip round tab (E). Slide base into channel securing lampholder in place (F). Finished assembly (G).

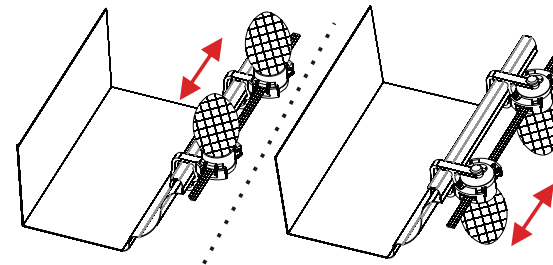
## Step 4



The lampholder may also be installed pointing down (H). Slide base into channel securing lampholder in place (I). Finished assembly (J).

## Assembly Complete

Continue assembling the mounting bases to the clips for attaching to your gutter. Then adjust the distance between lampholders as shown. To remove you may either follow instructions in reverse order or leave clips attached to mounting base.



Carefully store in a cool dry place to avoid damage.

If you need assistance or have any questions with set-up or operation

Please call us toll free: 1-866-489-0019

(English only) OPERATING HOURS:

- January 4 - November 12: Monday to Friday, 10AM-7PM EST
- November 13 - December 23: Monday to Friday, 8AM-8PM EST, Saturday & Sunday, 10AM-7PM EST
- December 27-29: 10AM-7PM EST

or visit us on the web at

[www.geholidaylighting.com](http://www.geholidaylighting.com)

204 Spring Hill Nicolas Holiday Ltd  
Road Trumbull, CT 06611

Made in China 2021